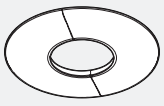
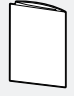
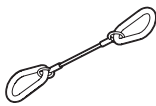
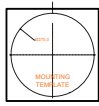



Flush mount for white IP PTZ cameras

DWC-P230FMW



WHAT'S IN THE BOX

| | | | | | |
|-----------------|---|---|-------------------|---|---|
| Magnetic Cover |  | 1 | Quick Setup Guide |  | 1 |
| Safety Wire |  | 2 | Mounting Template |  | 1 |
| Mounting Screws |  | 2 | | | |

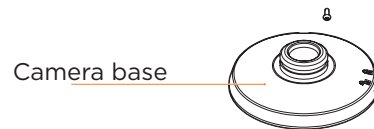
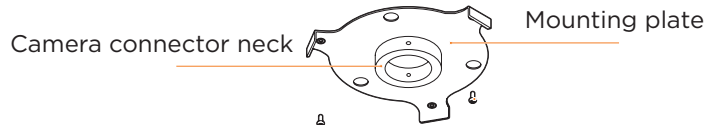
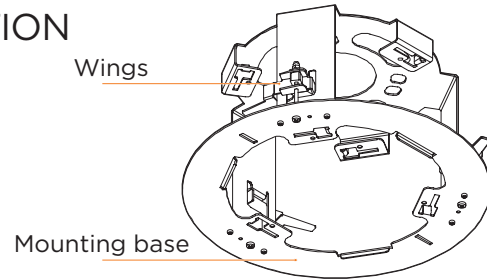
NOTE: Download all your support materials and tools in one place

1. Go to: <http://www.digital-watchdog.com/resources>
2. Search your product by entering the part number in the **'Search by Product'** search bar. Results for applicable part numbers will populate automatically based on the part number you enter.
3. Click **'Search'**. All supported materials, including manuals and quick start guide (QSGs) will appear in the results.



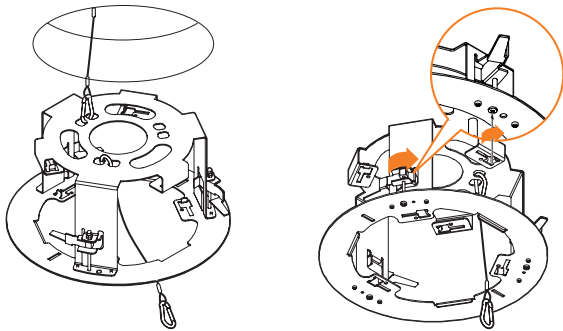
PREPARE THE FLUSH MOUNT FOR INSTALLATION

1. Detach the magnetic cover from the mount base.
2. Remove the three (3) screws to disconnect the mounting plate from the mounting base.
 - ☒ When using the flush mount, the camera cannot be tilted more than 20°

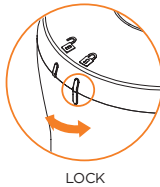


INSTALLATION

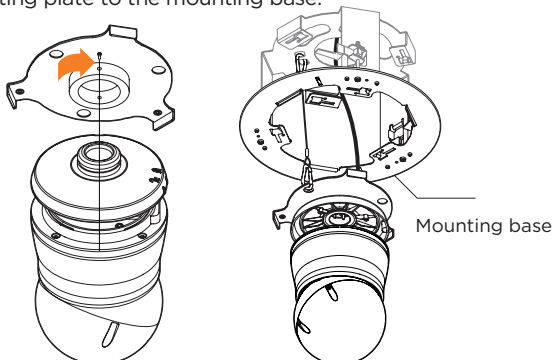
1. Using the mounting template mark and drill the necessary holes in the mounting surface.
2. Connect the first safety wire between the flush mount's base and the mounting surface.
3. Adjust the 3-point in-ceiling wing using a screwdriver. Twist the screws to tighten and expand until the flush mount is secured to the mounting surface.



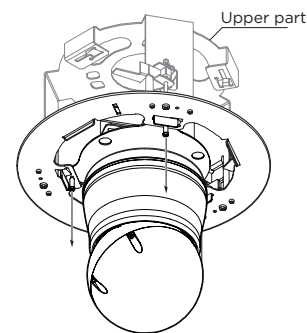
4. Pass the wires through the flush mount base.
5. Remove the camera's base from the camera module by rotating the base clockwise to the unlock position.



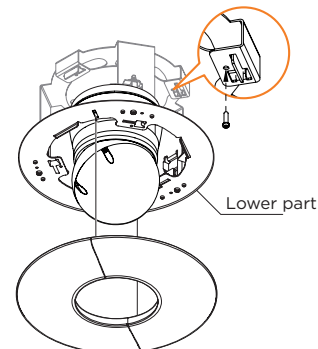
6. Connect the camera base to the mounting plate by rotating it clockwise and secure it with the two (2) mount screws included.
7. Use the second safety wire to secure the camera base and mounting plate to the mounting base.



8. Connect all wires to the camera.
9. Attach the camera's body and mounting plate to the camera base and mounting plate by rotating the base counter-clockwise to the lock position.
10. Place the dome on the camera module by securing the screws at the base of the dome.
11. Connect the mounting plate inside to the upper part of the mounting base using the three (3) screws.



12. Attach the magnetic cover to the mounting base by aligning the connecting points as seen in the image below.



13. Remove the protection film when the installation is complete.